

GENERAL ARTWORK DIMENSION - SWEAT SHIRT

Please use our website e-template to design the artwork in order to ensure there is error free. Only M Size Template is provided to design, while our designer team will help you adjust to others of your T-Shirt order size.

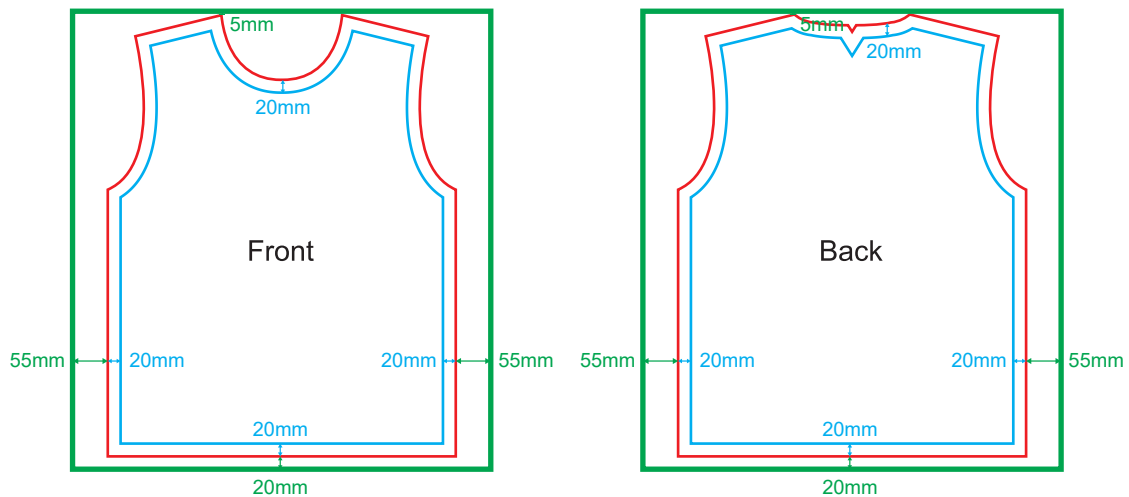
Type	Side	Safe Zone Size (Width x Height)	Open Size (Width x Height)	Bleeding Size (Width x Height)
Sweat Shirt	Front	503mm x 644mm	543mm x 689mm	653mm x 715mm
	Back	503mm x 648mm	543mm x 690mm	653mm x 715mm

Safe Zone : **20mm** from all sides of the edge

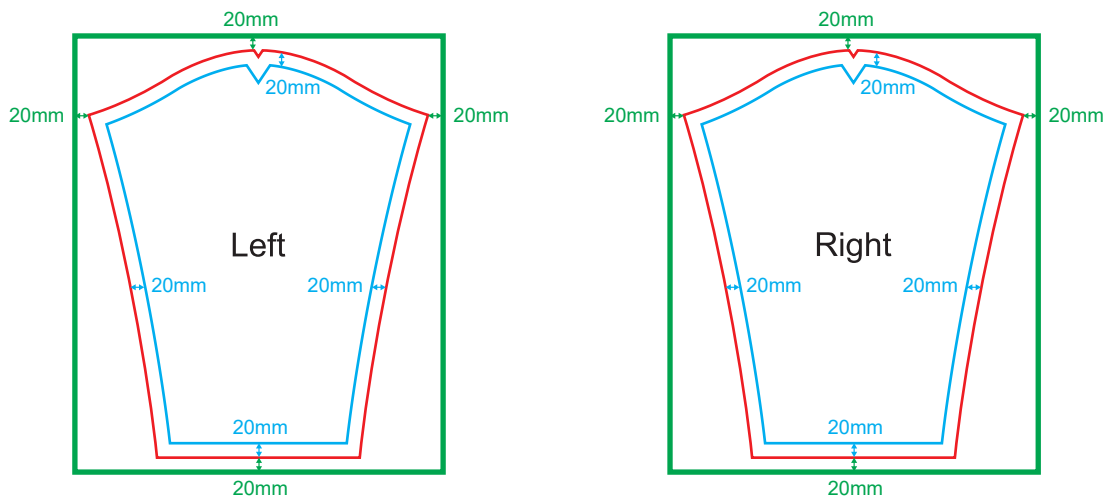
Bleeding : **55mm** from Left, and Right

: **5mm** from Top edge

: **20mm** from Bottom edge

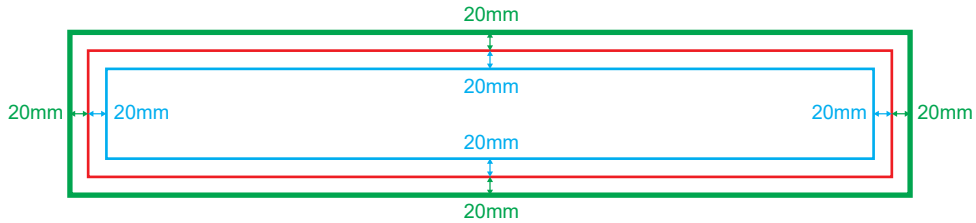


Type	Side	Safe Zone Size (Width x Height)	Open Size (Width x Height)	Bleeding Size (Width x Height)
Sweat Shirt Long Sleeve	Left	421mm x 523mm	470mm x 564mm	510mm x 604mm
	Right	421mm x 523mm	470mm x 564mm	510mm x 604mm

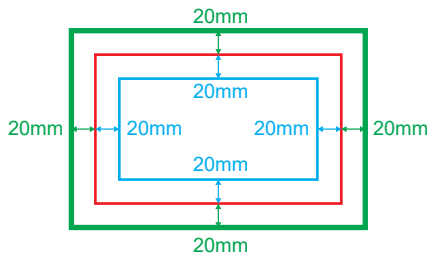


GENERAL ARTWORK DIMENSION - SWEAT SHIRT

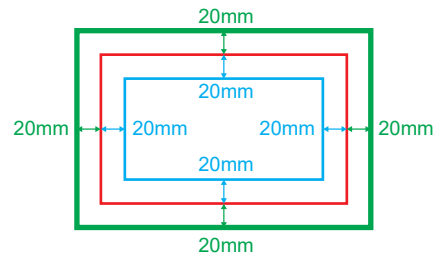
Type	Side	Safe Zone Size (Width x Height)	Open Size (Width x Height)	Bleeding Size (Width x Height)
Sweat Shirt Body Grip	Front	841mm x 98mm	881mm x 138mm	921mm x 178mm



Type	Side	Safe Zone Size (Width x Height)	Open Size (Width x Height)	Bleeding Size (Width x Height)
Sweat Shirt Sleeve Grip	Left	165mm x 84mm	205mm x 124mm	245mm x 164mm
	Right	165mm x 84mm	205mm x 124mm	245mm x 164mm



Left



Right

GENERAL ARTWORK DIMENSION - HOODIE/HOODIE WITH ZIP

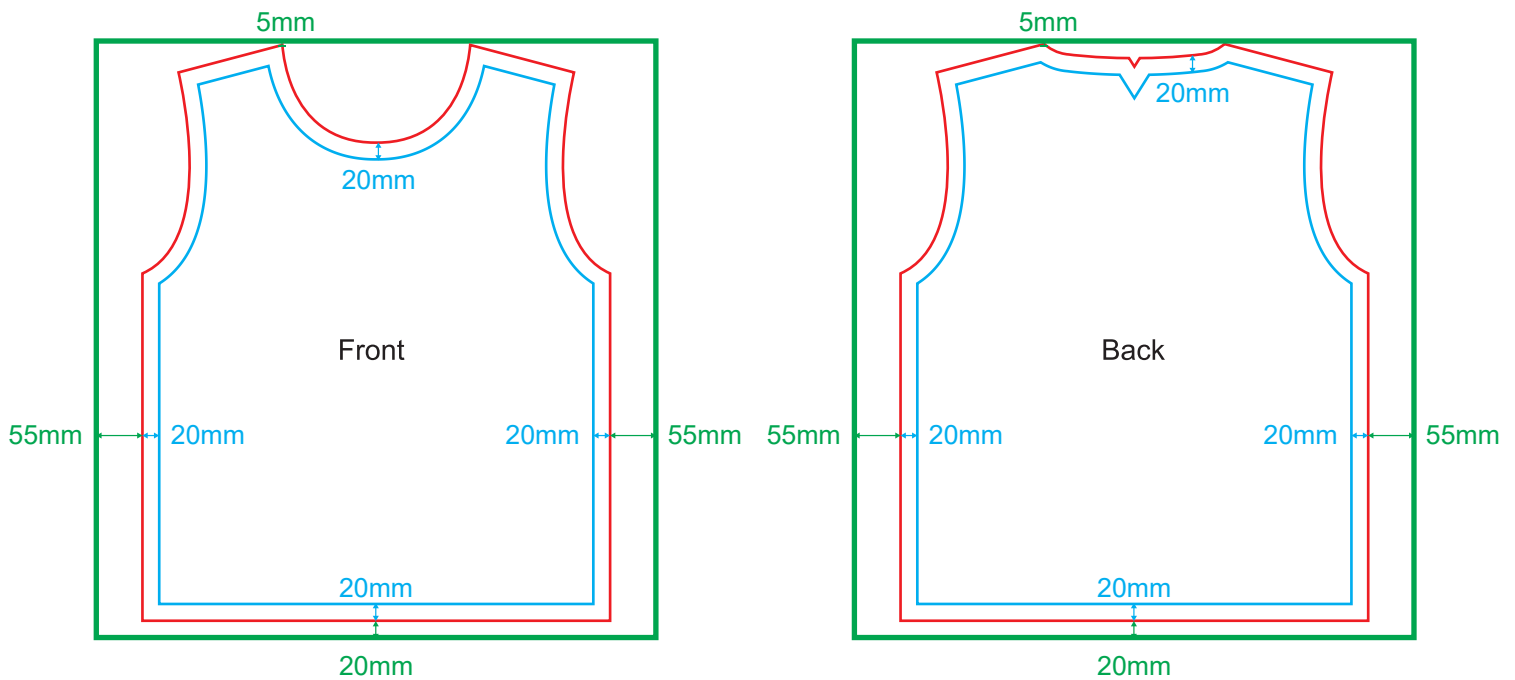
Type	Side	Safe Zone Size (Width x Height)	Open Size (Width x Height)	Bleeding Size (Width x Height)
Hoodie	Front	698mm x 491mm	760mm x 531mm	800mm x 571mm
	Back	698mm x 491mm	760mm x 531mm	800mm x 571mm

Safe Zone : **20mm** from all sides of the edge

Bleeding : **55mm** from Left, and Right

: **5mm** from Top edge

: **20mm** from Bottom edge



GENERAL ARTWORK DIMENSION - HOODIE/HOODIE WITH ZIP

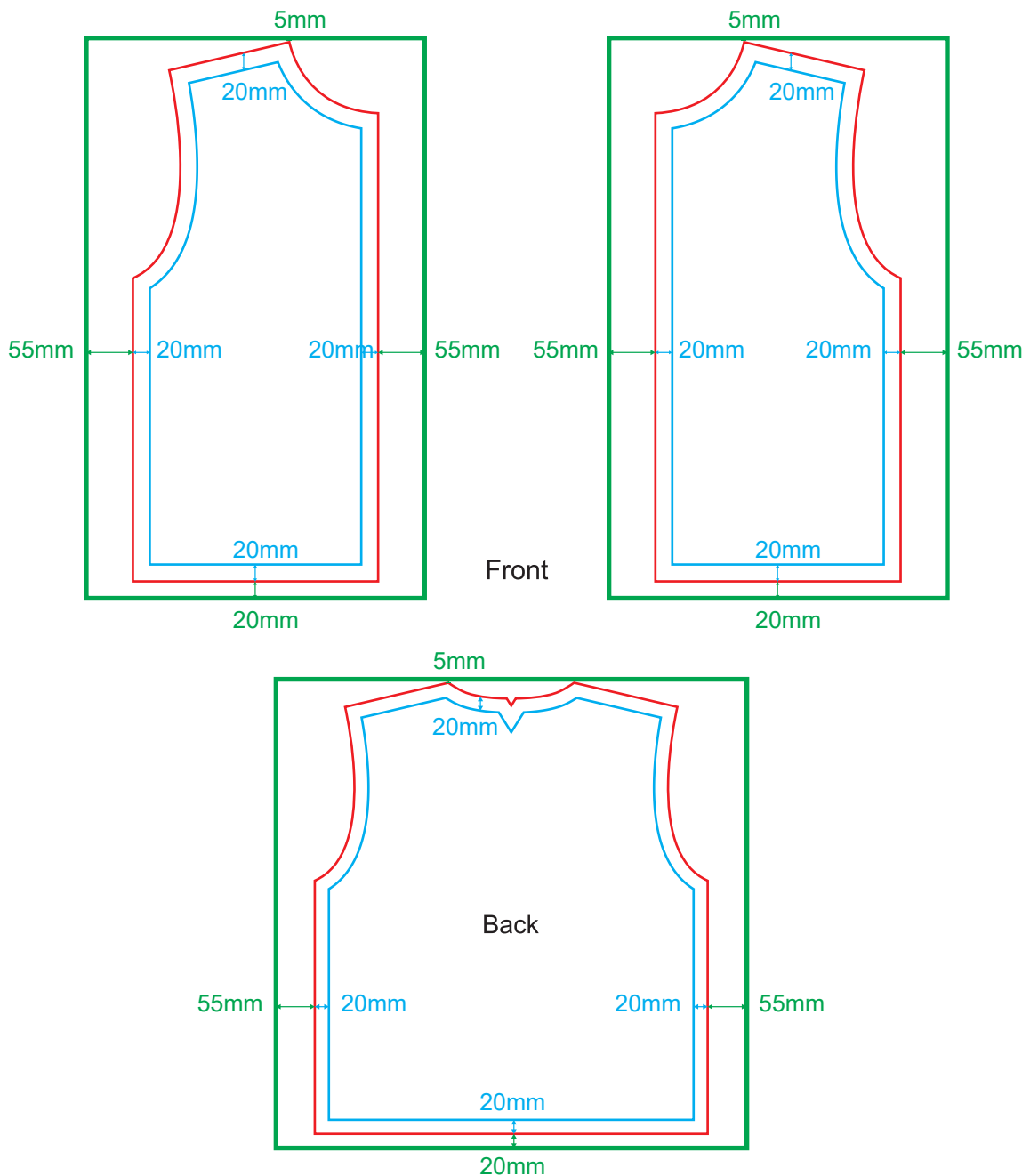
Type	Side	Safe Zone Size (Width x Height)	Open Size (Width x Height)	Bleeding Size (Width x Height)
Hoodie with Zip	Front	251mm x 595mm	291mm x 639mm	401mm x 664mm
	Back	251mm x 595mm	291mm x 639mm	401mm x 664mm

Safe Zone : **20mm** from all sides of the edge

Bleeding : **55mm** from Left, and Right

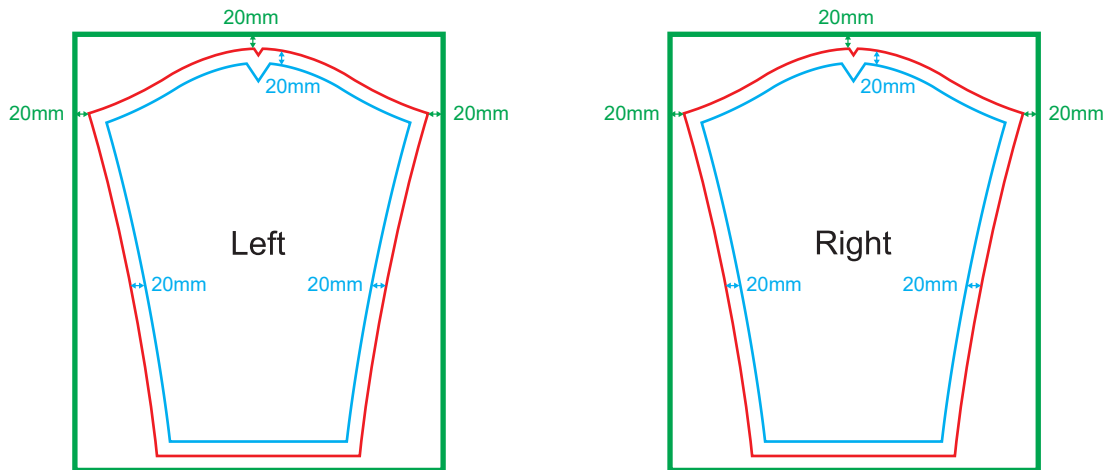
: **5mm** from Top edge

: **20mm** from Bottom edge

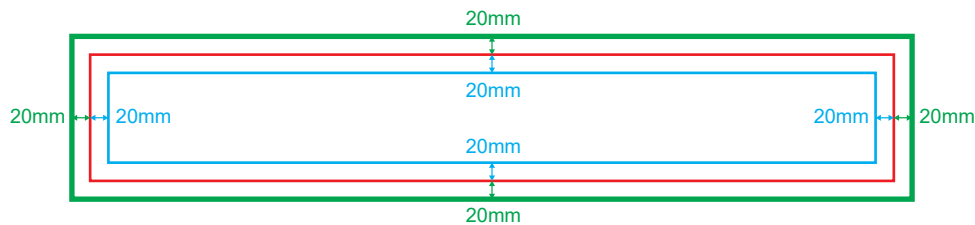


GENERAL ARTWORK DIMENSION - HOODIE/HOODIE WITH ZIP

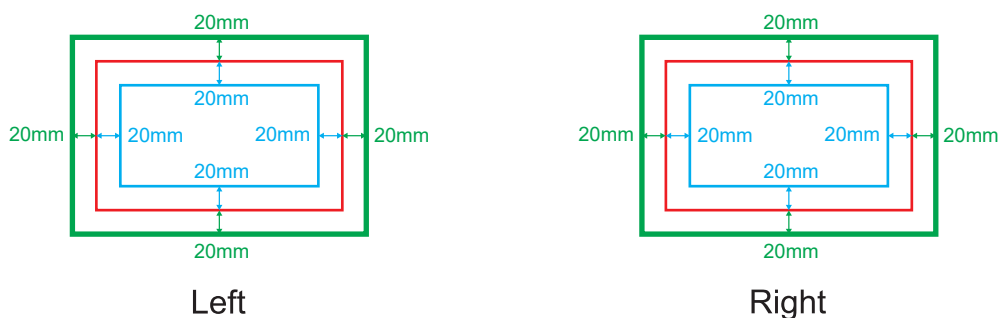
Type	Side	Safe Zone Size (Width x Height)	Open Size (Width x Height)	Bleeding Size (Width x Height)
Hoodie/Hoodie with Zip Sleeve	Left	428mm x 521mm	477mm x 561mm	517mm x 602mm
	Right	428mm x 521mm	477mm x 561mm	517mm x 602mm



Type	Side	Safe Zone Size (Width x Height)	Open Size (Width x Height)	Bleeding Size (Width x Height)
Hoodie/Hoodie with Zip Body Grip	-	841mm x 98mm	881mm x 138mm	921mm x 178mm

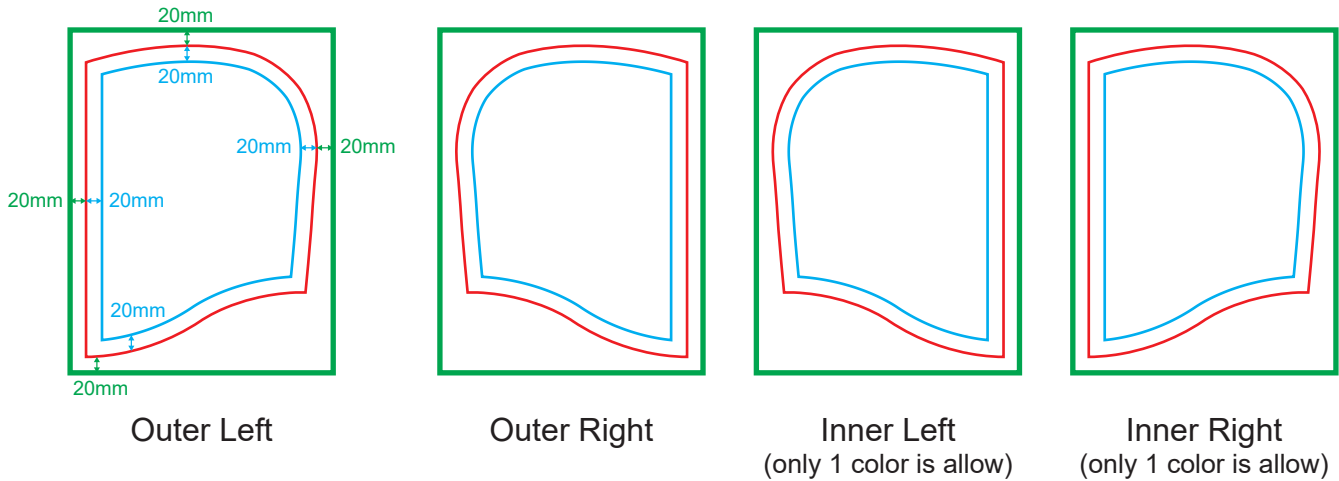


Type	Side	Safe Zone Size (Width x Height)	Open Size (Width x Height)	Bleeding Size (Width x Height)
Hoodie/Hoodie with Zip Sleeve Grip	Left	165mm x 84mm	205mm x 124mm	245mm x 164mm
	Right	165mm x 84mm	205mm x 124mm	245mm x 164mm

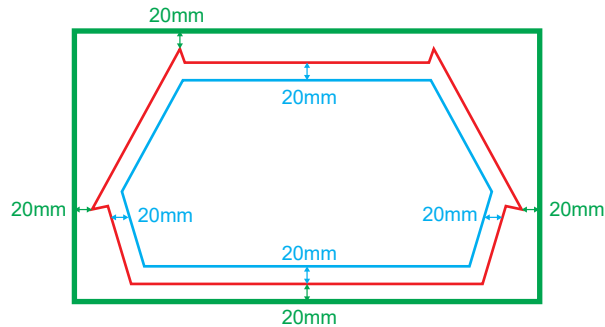


GENERAL ARTWORK DIMENSION - HOODIE/HOODIE WITH ZIP

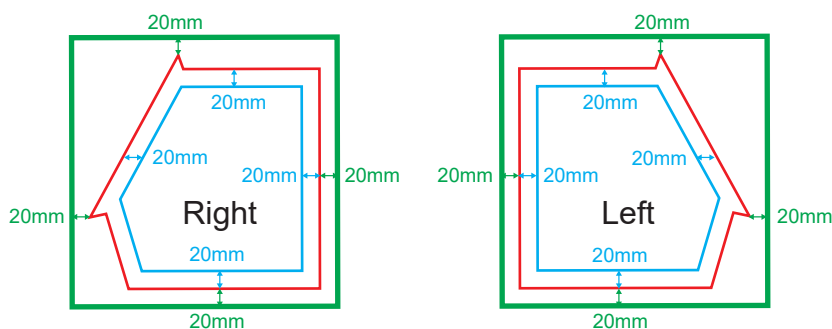
Type	Side	Safe Zone Size (Width x Height)	Open Size (Width x Height)	Bleeding Size (Width x Height)
Hoodie/Hoodie with Zip Cap	Outer Right/ Inner Right	249mm x 349mm	290mm x 390mm	330mm x 430mm
	Outer Left/ Inner Left	249mm x 349mm	290mm x 390mm	330mm x 430mm



Type	Side	Safe Zone Size (Width x Height)	Open Size (Width x Height)	Bleeding Size (Width x Height)
Hoodie Pocket	-	420mm x 211mm	487mm x 267mm	528mm x 307mm



Type	Side	Safe Zone Size (Width x Height)	Open Size (Width x Height)	Bleeding Size (Width x Height)
Hoodie with Zip Pocket	Left & Right	205mm x 207mm	258mm x 263mm	299mm x 303mm



STANDARD CHECKLIST

ARTWORK

- Vector & JPEG (minimum 300dpi for JPEG format)

FONTS

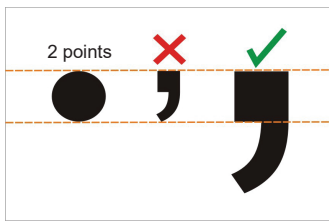
- Normal Font Size: Minimum 10 pts
- Reverse Font Size: Minimum 15 pts

LINE WEIGHT

- Normal Line Thickness: Minimum 1 pts
- Reverse Line Thickness: Minimum 2 pts

DOT

- Normal Dot Thickness: Minimum 2 pts



- Reverse Dot Thickness: Minimum 3 pts
- Gap Between Line and Dot: Minimum 2pts



COLOR

- Individual Font and Line color must be in ONE COLOR only, to avoid wording blurry problem.
- CMYK max 240% to avoid Ink dirty.

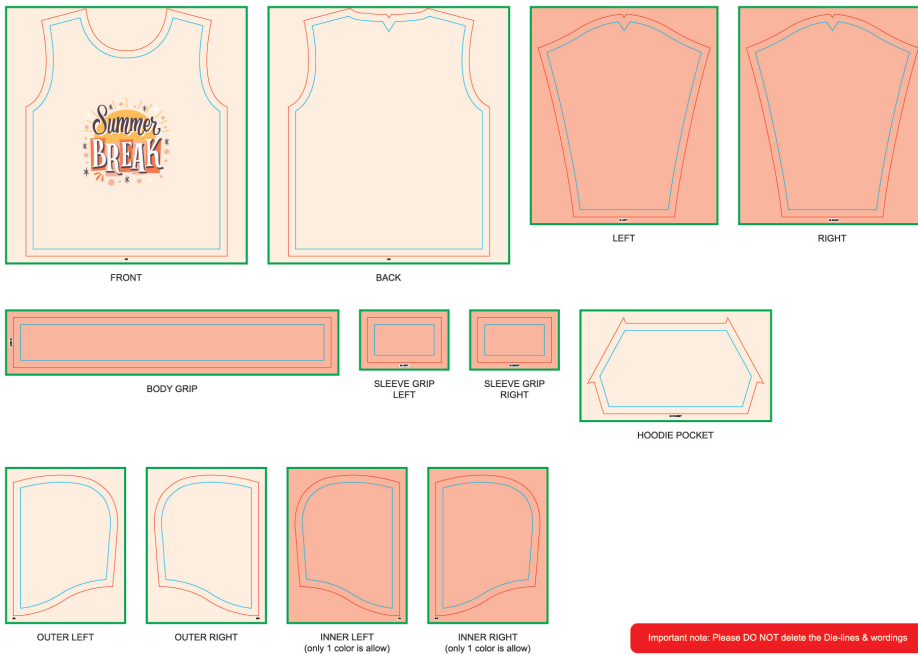
Important Notes for 4C Printing:

Printing onto T-Shirt is significantly different than printing on paper, It is using sublimation process onto the material. The print output couldn't exactly same as the artwork you have submitted through online due to sublimation technology, the product outcome will be slightly grainy, darker or lighter and the resolution couldn't 100% clear as the screen preview. While lighter shades outcome might appear lighter or less visible compare to screen artwork.

FILE PREPARATION

Print Color	Print Side	File
4C	4C + 4C (Both Sides)	<p><u>only 1 file (1 page), consist of:</u></p> <p>Front Artwork <i>Apply for all models</i></p> <p>Back Artwork <i>Apply for all models</i></p> <p>Left Artwork <i>Apply for all models</i></p> <p>Right Artwork <i>Apply for all models</i></p> <p>Body Grip <i>Apply for all models</i></p> <p>Sleeve Grip (Left & Right) <i>Apply for all models</i></p> <p>Neck Line <i>Except Hoodie and Hoodie with Zip</i></p> <p>Pocket <i>Except Sweat Shirt</i></p> <p>Cap (outer left, outer right, inner left, and inner right) <i>Except Sweat Shirt</i></p>

Example:



Important note: Please DO NOT delete the Die-lines & wordings